

Fig. 1

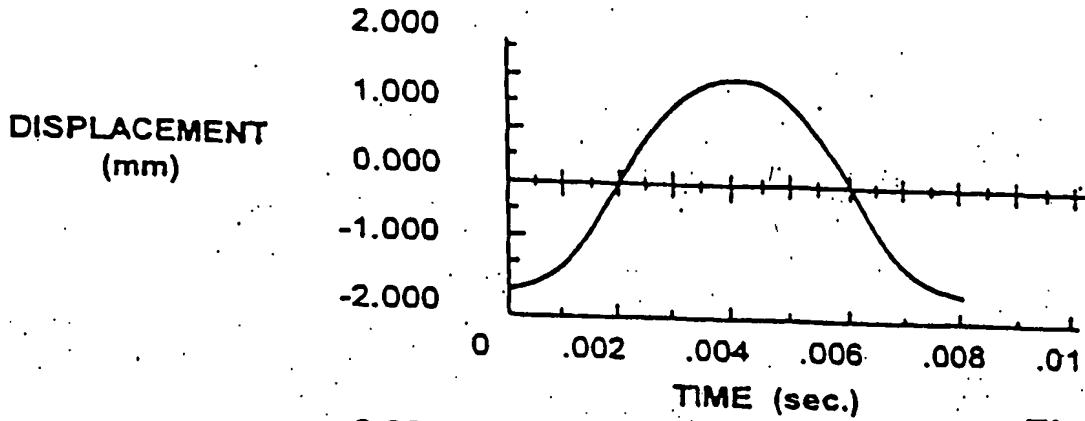


Fig. 24

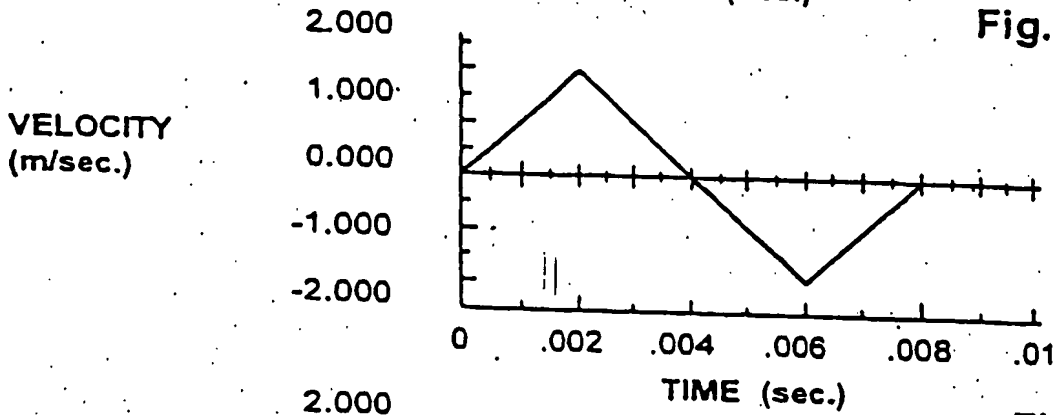


Fig. 29

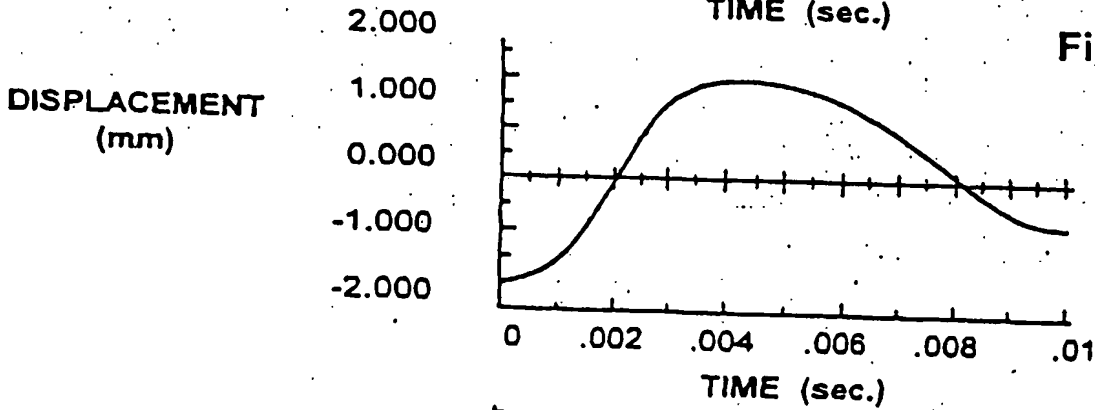


Fig. 2c

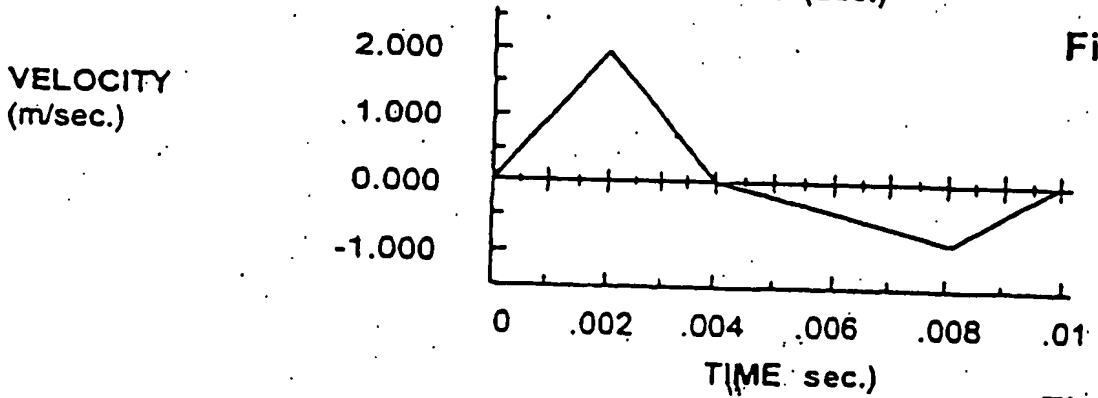


Fig. 2d

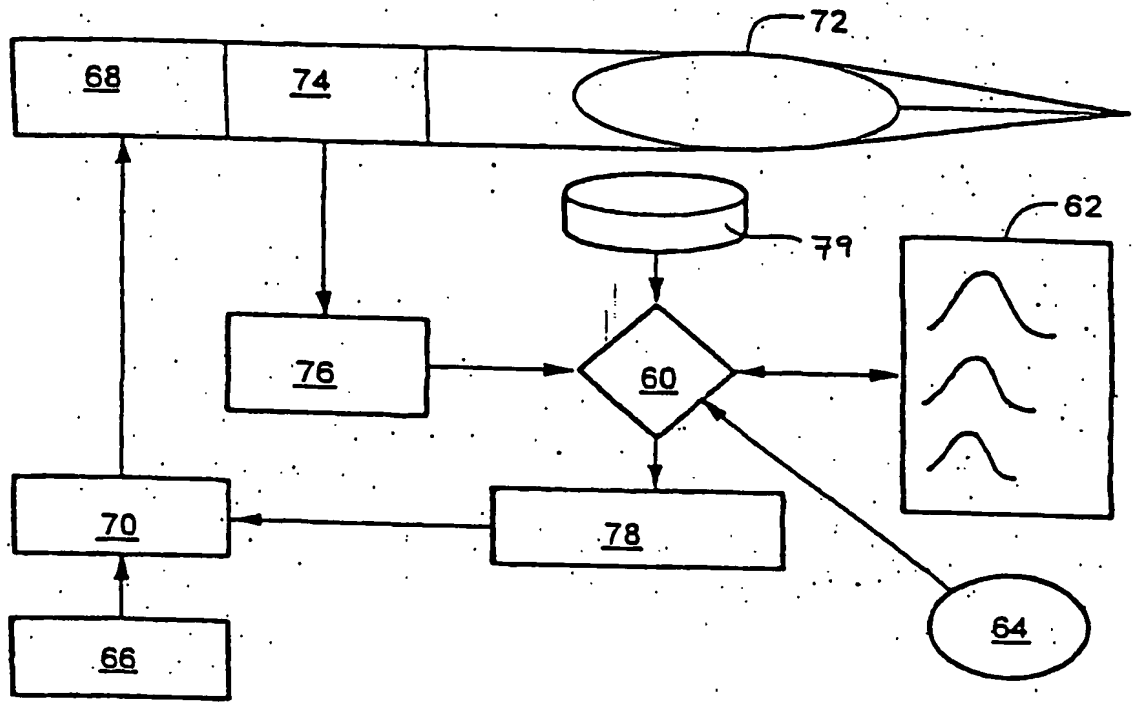


Fig. 3

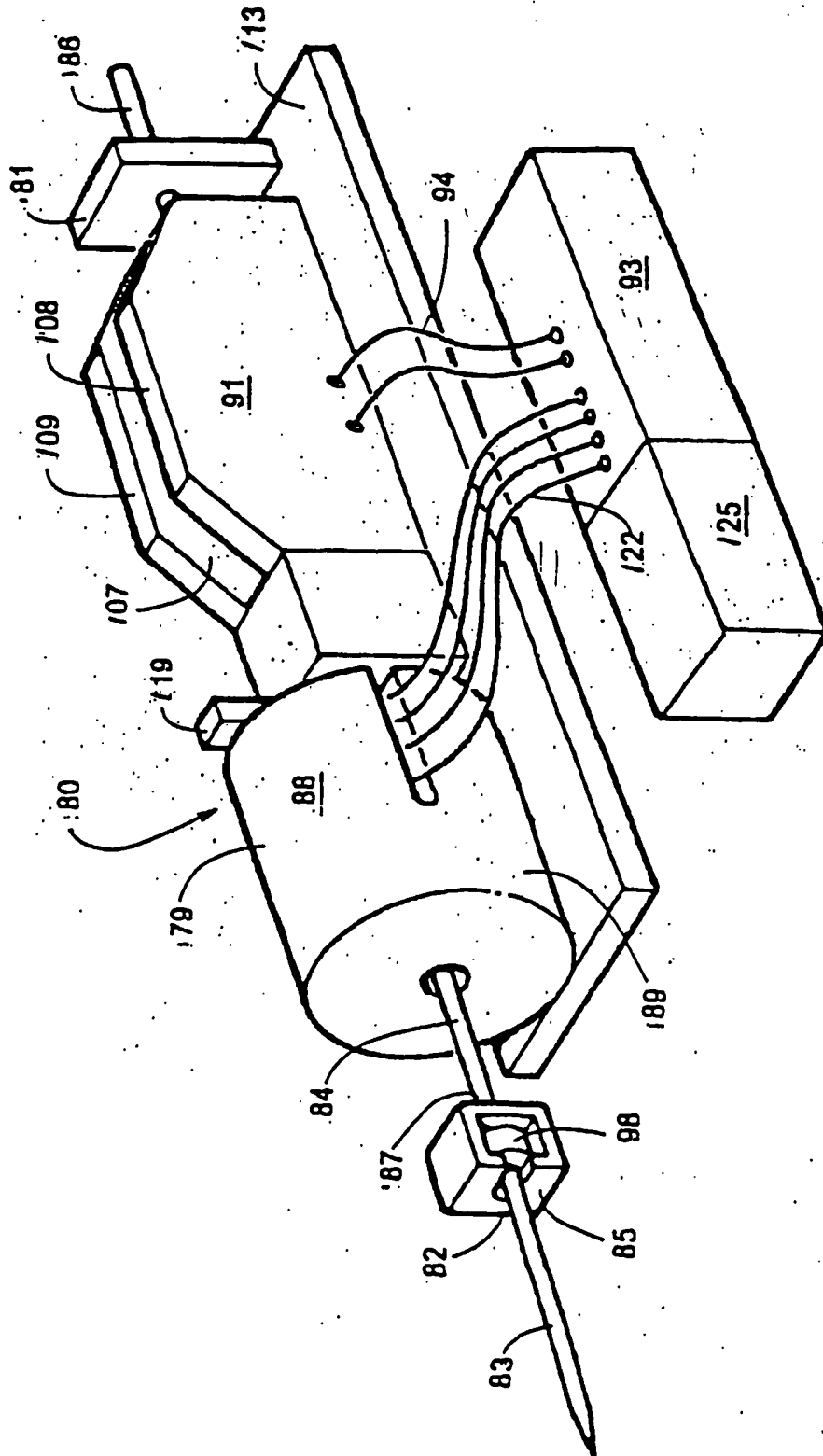


Fig. 4

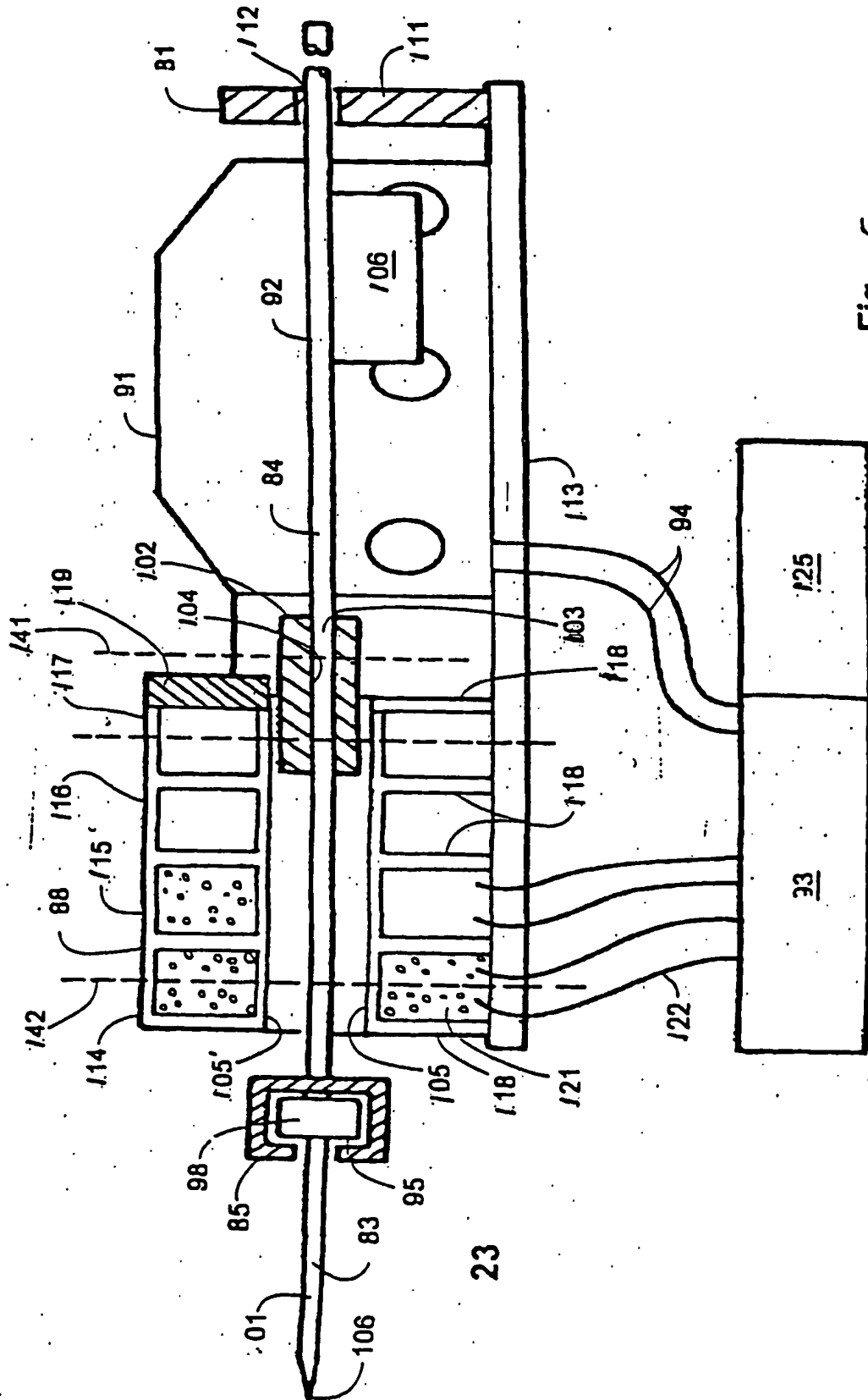


Fig. 5

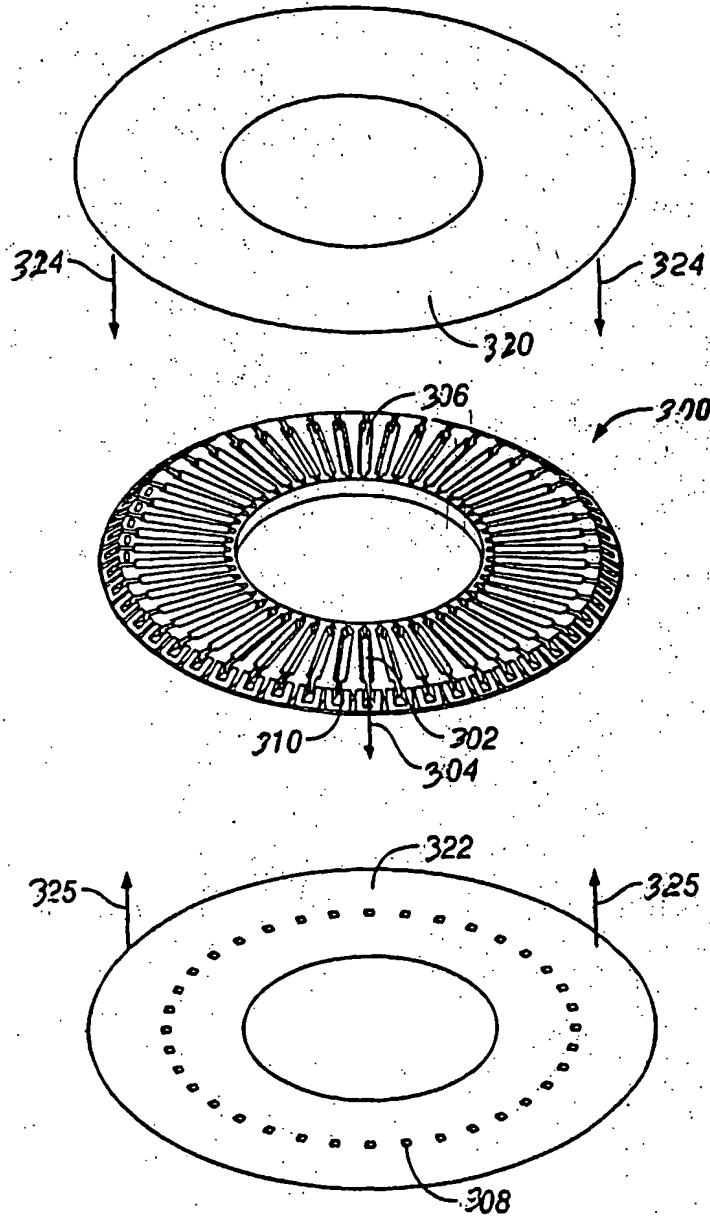


FIG. 6

Figure 7A

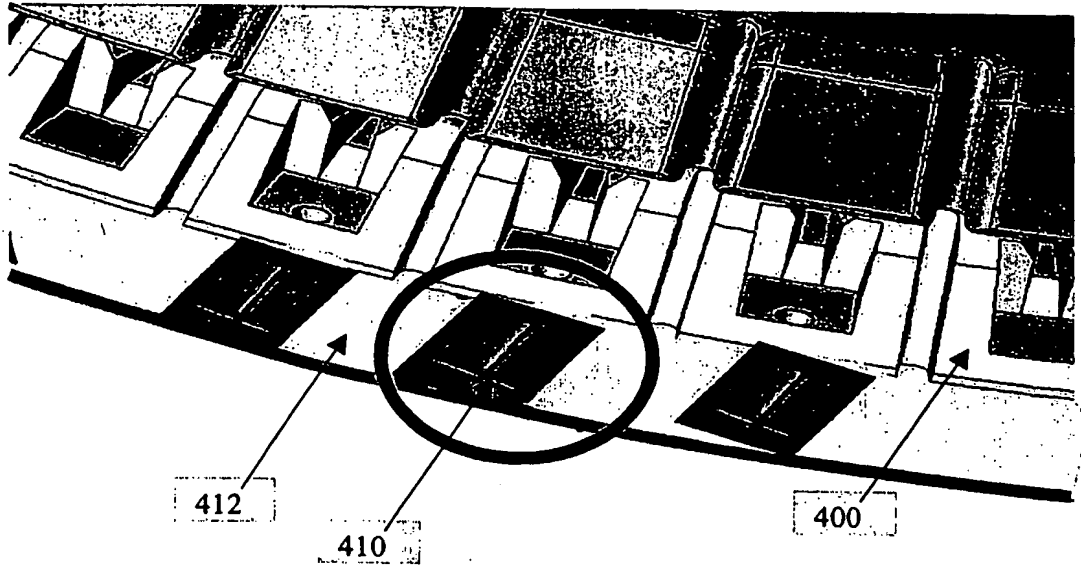


Figure 7B

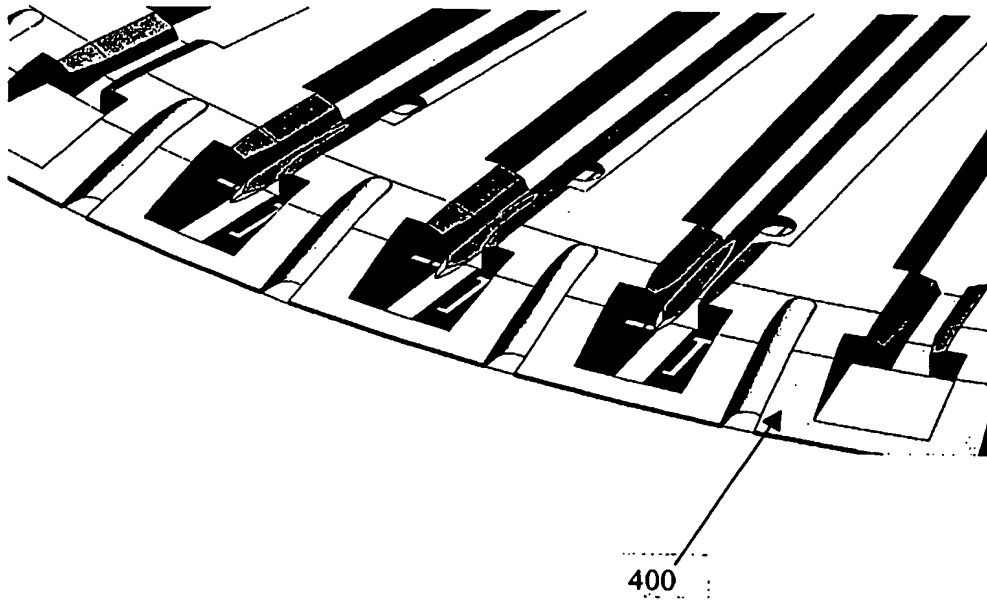


Figure 8

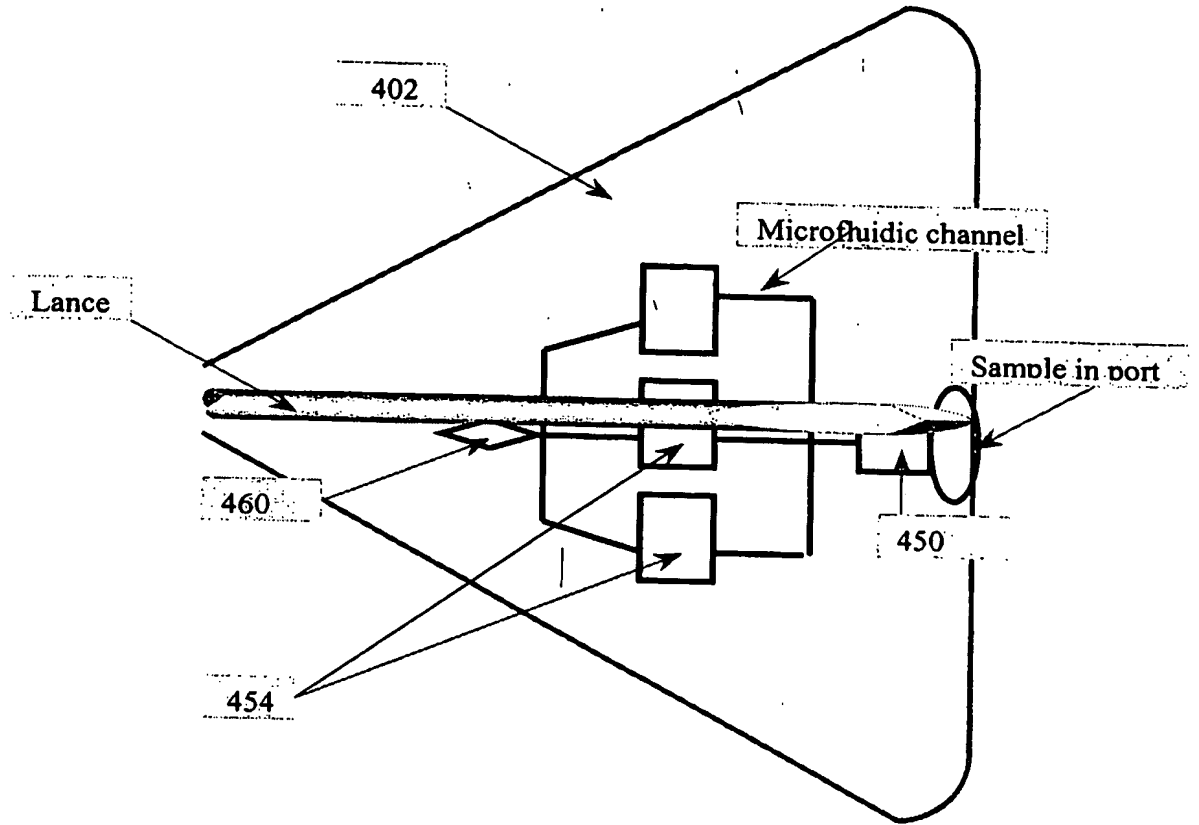
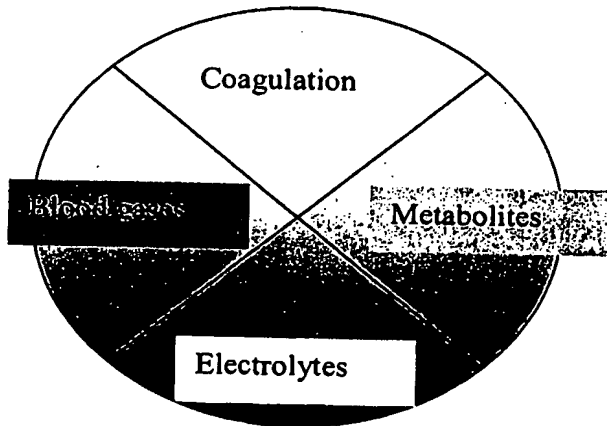


Figure 9



EJECTION MARKS TO BE
ON THESE SURFACES

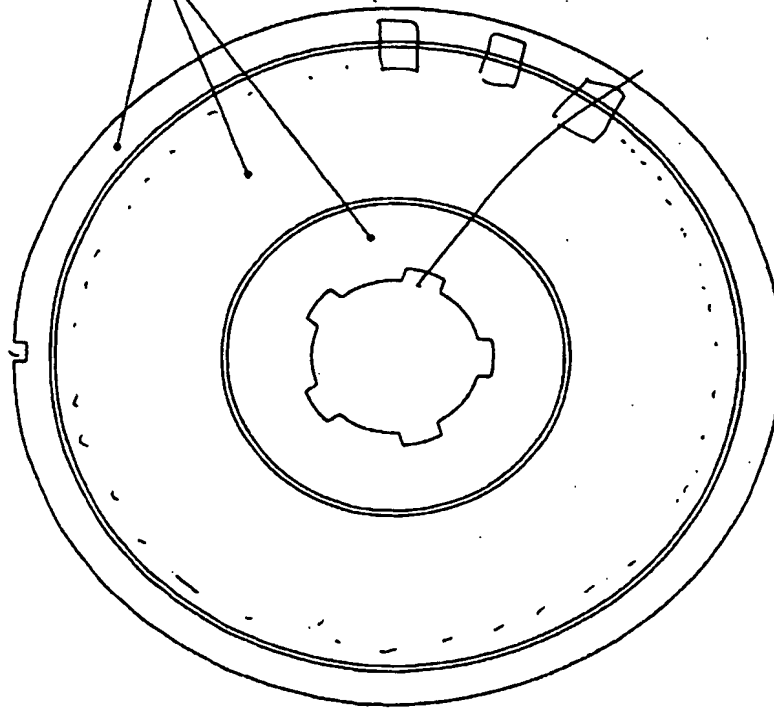


FIG-10

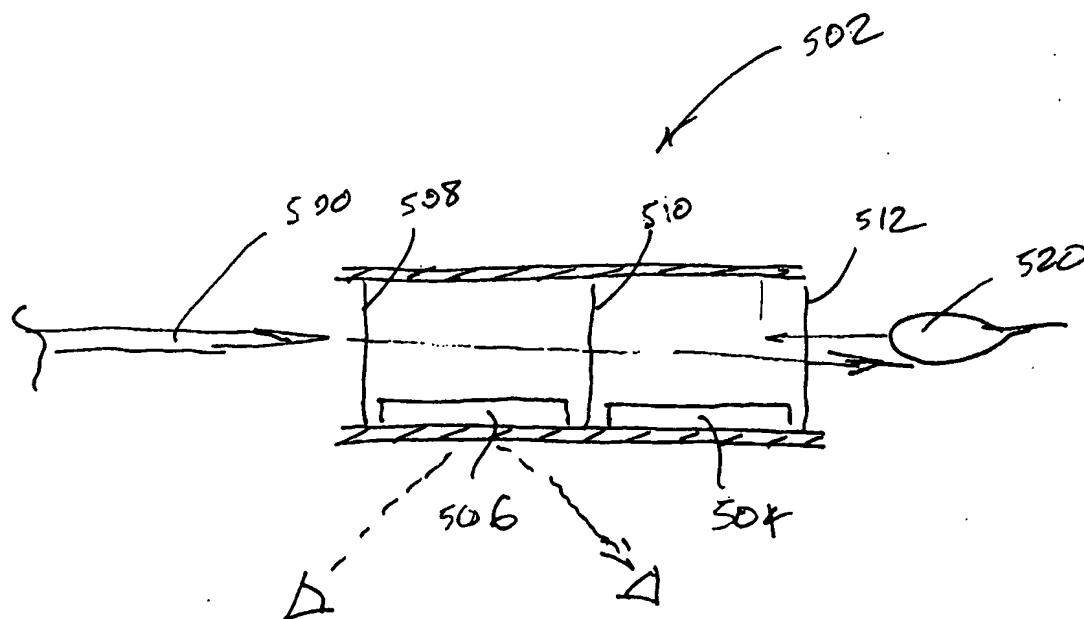


FIG - IV

**This Page is Inserted by IFW Indexing and Scanning
Operations and is not part of the Official Record**

BEST AVAILABLE IMAGES

Defective images within this document are accurate representations of the original documents submitted by the applicant.

Defects in the images include but are not limited to the items checked:

BLACK BORDERS

IMAGE CUT OFF AT TOP, BOTTOM OR SIDES

~~FADED TEXT OR DRAWING~~

~~BLURRED OR ILLEGIBLE TEXT OR DRAWING~~

SKEWED/SLANTED IMAGES

COLOR OR BLACK AND WHITE PHOTOGRAPHS

GRAY SCALE DOCUMENTS

LINES OR MARKS ON ORIGINAL DOCUMENT

REFERENCE(S) OR EXHIBIT(S) SUBMITTED ARE POOR QUALITY

OTHER: _____

IMAGES ARE BEST AVAILABLE COPY.

As rescanning these documents will not correct the image problems checked, please do not report these problems to the IFW Image Problem Mailbox.